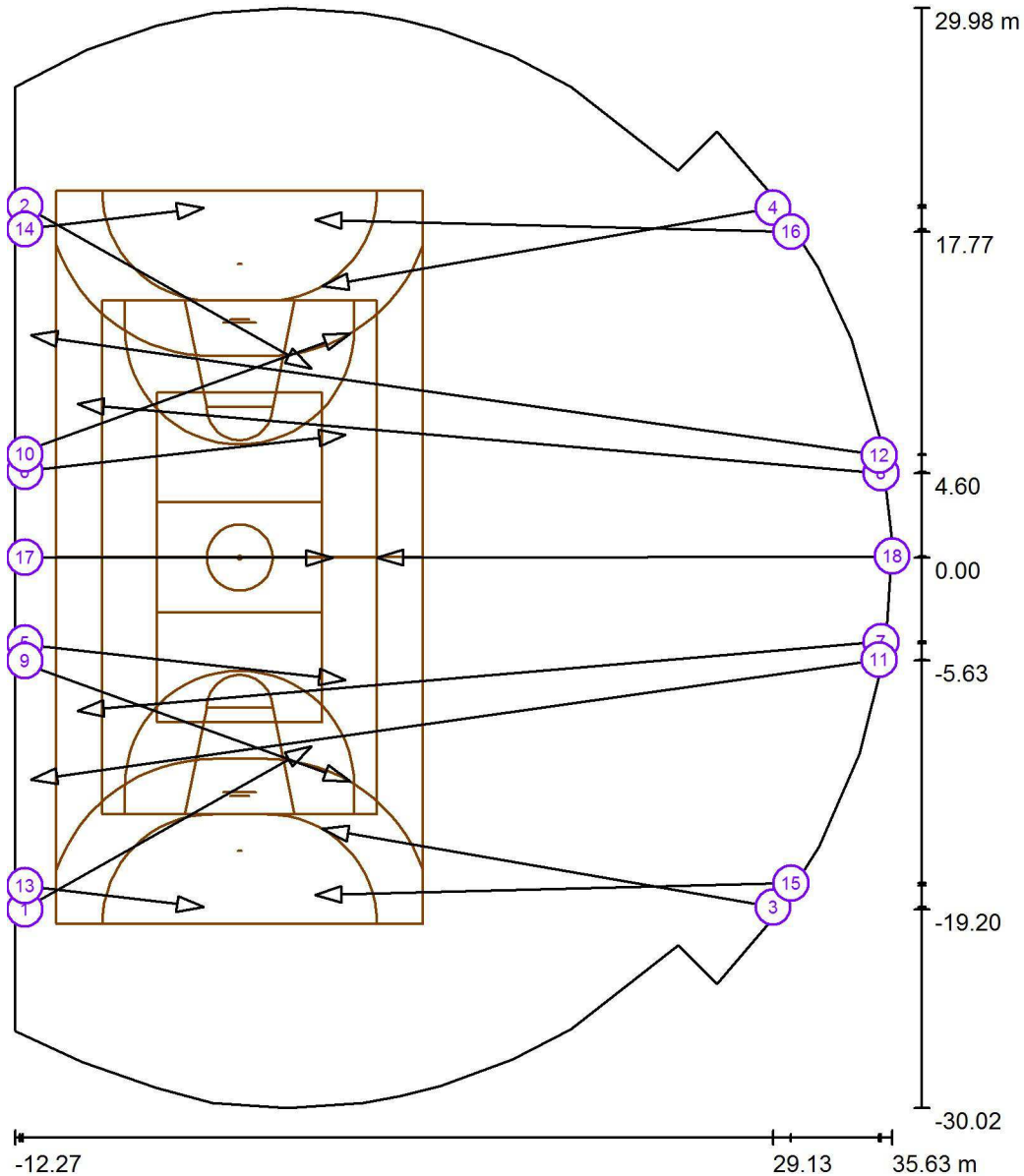


## 54 - Sala / Class II / Sport Luminaires (Coordinates List)



Scale 1 : 406

### List of the Sport Luminaires

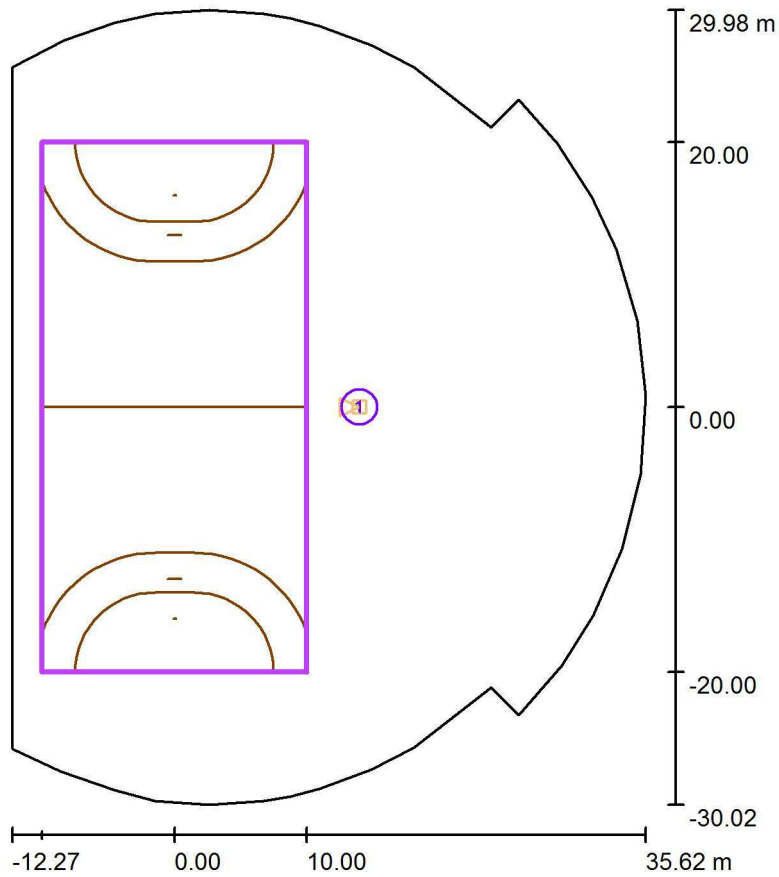
Luminaire	Index	Position [m]			Aiming Point [m]			Angle [°]	Alignment	Pole
		X	Y	Z	X	Y	Z			
Disano 1156 Forum - XL indoor Disano 1156 JMITS 1000 XL indoor S graphite	1	-11.848	-19.196	13.000	3.928	-10.309	0.000	35.7	(C 0, G IMax)	/
Disano 1156 Forum - XL indoor Disano 1156 JMITS 1000 XL indoor S graphite	2	-11.848	19.196	13.000	3.928	10.309	0.000	35.7	(C 0, G IMax)	/
Disano 1156 Forum - XL indoor Disano 1156 JMITS 1000 XL indoor S graphite	3	29.128	-19.070	13.000	4.500	-14.804	0.000	27.5	(C 0, G IMax)	/
Disano 1156 Forum - XL indoor Disano 1156 JMITS 1000 XL indoor S graphite	4	29.128	19.070	13.000	4.500	14.804	0.000	27.5	(C 0, G IMax)	/

## 54 - Sala / Class II / Sport Luminaires (Coordinates List)

### List of the Sport Luminaires

Luminaire	Index	Position [m]			Aiming Point [m]			Angle [°]	Alignment	Pole
		X	Y	Z	X	Y	Z			
Disano 1156 Forum - XL indoor Disano 1156 JM-TS 1000 XL indoor S graphite	5	-12.266	-4.674	13.000	5.768	-6.680	0.000	35.6	(C 0, G IMax)	/
Disano 1156 Forum - XL indoor Disano 1156 JM-TS 1000 XL indoor S graphite	6	-12.266	4.674	13.000	5.768	6.680	0.000	35.6	(C 0, G IMax)	/
Disano 1156 Forum - XL indoor Disano 1156 JM-TS 1000 XL indoor S graphite	7	35.021	-4.600	13.000	-8.851	-8.363	0.000	16.4	(C 0, G IMax)	/
Disano 1156 Forum - XL indoor Disano 1156 JM-TS 1000 XL indoor S graphite	8	35.021	4.600	13.000	-8.851	8.363	0.000	16.4	(C 0, G IMax)	/
Disano 1156 Forum - XL indoor Disano 1156 JM-TS 1000 XL indoor S graphite	9	-12.266	-5.630	13.000	6.047	-12.233	0.000	33.7	(C 0, G IMax)	/
Disano 1156 Forum - XL indoor Disano 1156 JM-TS 1000 XL indoor S graphite	10	-12.266	5.630	13.000	6.047	12.233	0.000	33.7	(C 0, G IMax)	/
Disano 1156 Forum - XL indoor Disano 1156 JM-TS 1000 XL indoor S graphite	11	34.917	-5.577	13.000	-11.400	-12.132	0.000	15.5	(C 0, G IMax)	/
Disano 1156 Forum - XL indoor Disano 1156 JM-TS 1000 XL indoor S graphite	12	34.917	5.577	13.000	-11.400	12.132	0.000	15.5	(C 0, G IMax)	/
Disano 1156 Forum - XL indoor Disano 1156 JM-TS 1000 XL indoor S graphite	13	-11.863	-17.905	13.000	-1.981	-19.070	0.000	52.6	(C 0, G IMax)	/
Disano 1156 Forum - XL indoor Disano 1156 JM-TS 1000 XL indoor S graphite	14	-11.863	17.905	13.000	-1.981	19.070	0.000	52.6	(C 0, G IMax)	/
Disano 1156 Forum - FL Disano 1156 JM-TS 1000 FL S graphite	15	30.101	-17.765	13.000	4.113	-18.408	0.000	26.6	(C 0, G IMax)	/
Disano 1156 Forum - FL Disano 1156 JM-TS 1000 FL S graphite	16	30.101	17.765	13.000	4.113	18.408	0.000	26.6	(C 0, G IMax)	/
Disano 1156 Forum - XL indoor Disano 1156 JM-TS 1000 XL indoor S graphite	17	-12.000	0.000	13.000	5.080	-0.025	0.000	37.3	(C 0, G IMax)	/
Disano 1156 Forum - FL Disano 1156 JM-TS 1000 FL S graphite	18	35.629	0.075	13.000	7.500	0.000	0.000	24.8	(C 0, G IMax)	/

## 54 - Sala / Class II / Handball 1 Calculation Grid (PA) / Summary



Scale 1 : 572

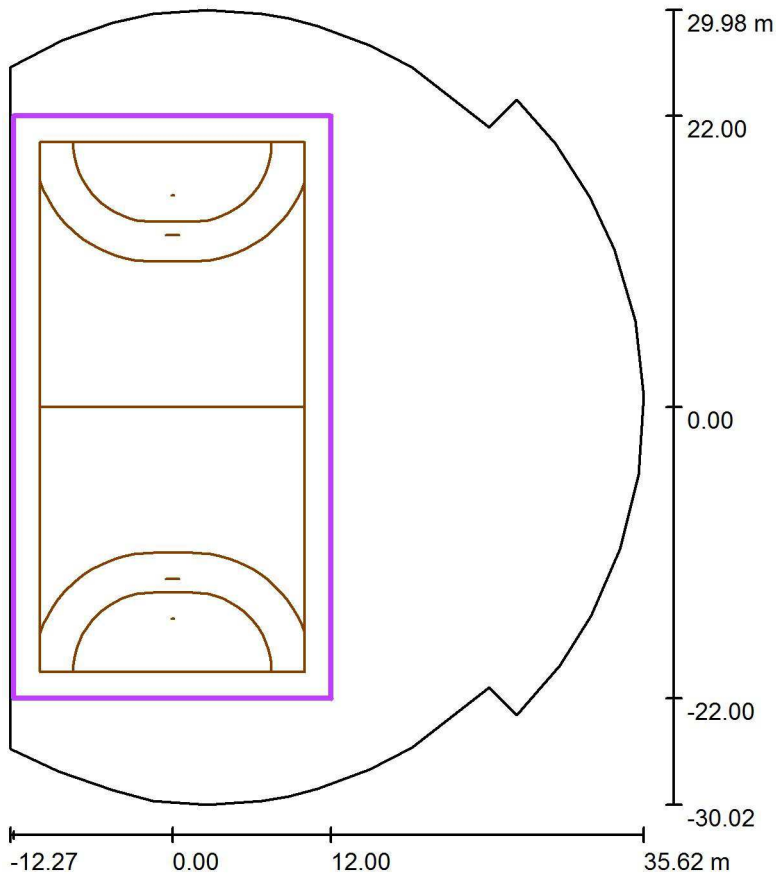
Position: (0.000 m, 0.000 m, 0.000 m)  
 Size: (40.000 m, 20.000 m)  
 Rotation: (0.0°, 0.0°, 90.0°)  
 Type: Normal, Grid: 15 x 7 Points  
 Belongs to the following sport arena: Handball 1

### Results overview

No.	Type	$E_{av}$ [lx]	$E_{min}$ [lx]	$E_{max}$ [lx]	$u_0$	$E_{min} / E_{max}$	$E_{h\ m} / E_m$	H [m]	Camera
1	horizontal	606	432	816	0.71	0.53	/	0.000	/
2	Camera	347	249	669	0.72	0.37	1.75	1.000	1

$E_{h\ m} / E_m$  = Relationship between middle horizontal and vertical illuminance, H = Measuring Height

## 54 - Sala / Class II / Handball 1 Calculation Grid (TA) / Summary



Scale 1 : 572

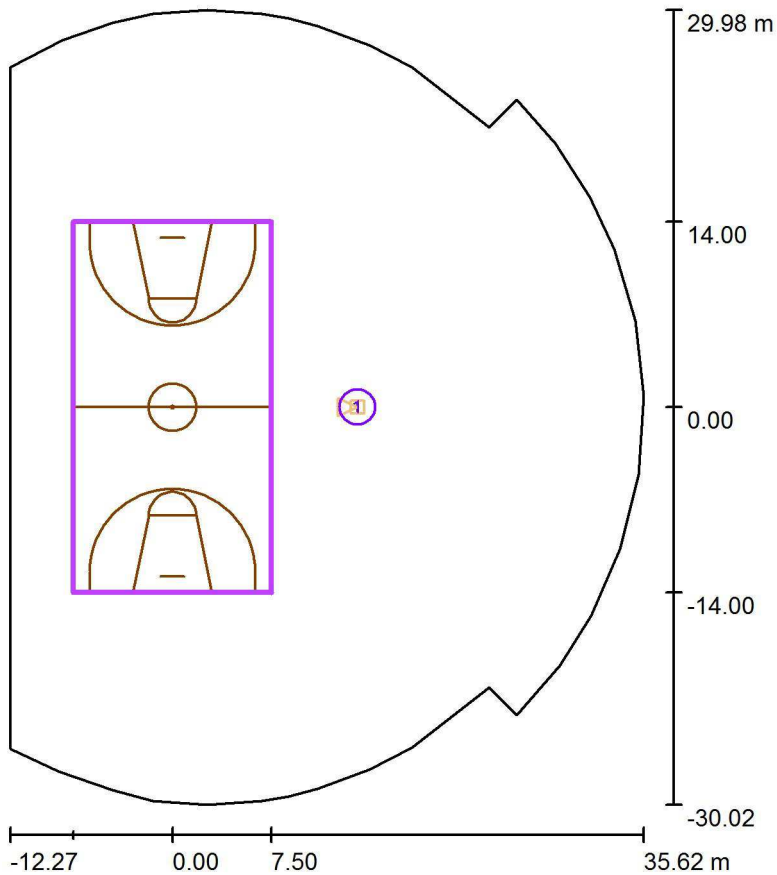
Position: (0.000 m, 0.000 m, 0.000 m)  
 Size: (44.000 m, 24.000 m)  
 Rotation: (0.0°, 0.0°, 90.0°)  
 Type: Normal, Grid: 15 x 9 Points  
 Belongs to the following sport arena: Handball 1

### Results overview

No.	Type	$E_{av}$ [lx]	$E_{min}$ [lx]	$E_{max}$ [lx]	$u_0$	$E_{min} / E_{max}$	$E_{h\ m} / E_m$	H [m]	Camera
1	horizontal	555	269	807	0.48	0.33	/	0.000	/

$E_{h\ m} / E_m$  = Relationship between middle horizontal and vertical illuminance, H = Measuring Height

## 54 - Sala / Class II / Basketball 1 Calculation Grid (PA) / Summary



Scale 1 : 572

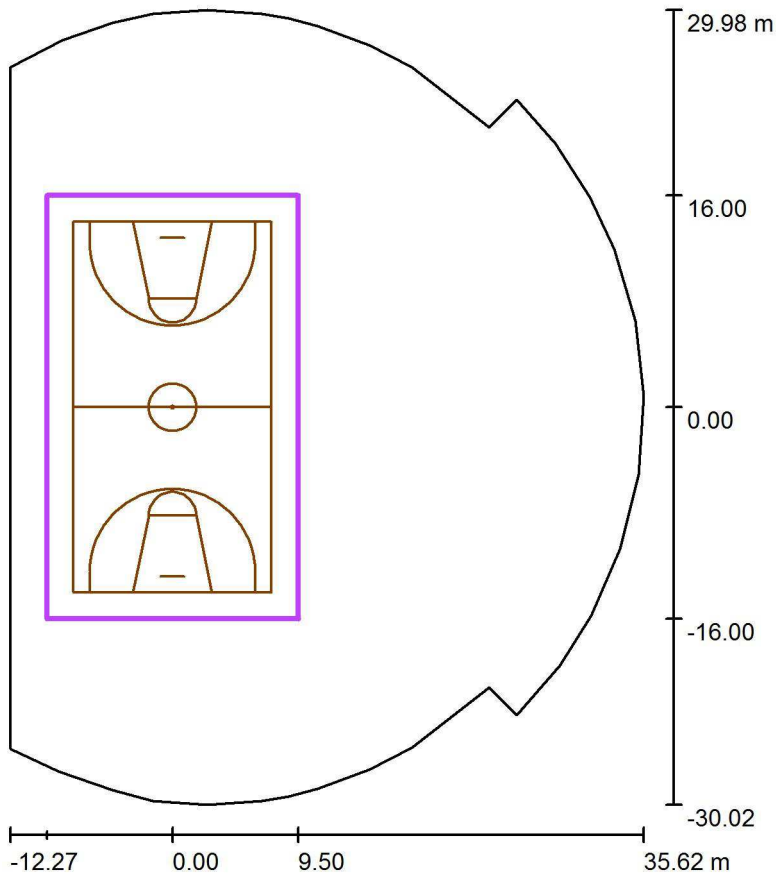
Position: (0.000 m, 0.000 m, 0.000 m)  
 Size: (28.000 m, 15.000 m)  
 Rotation: (0.0°, 0.0°, 90.0°)  
 Type: Normal, Grid: 13 x 7 Points  
 Belongs to the following sport arena: Basketball 1

### Results overview

No.	Type	$E_{av}$ [lx]	$E_{min}$ [lx]	$E_{max}$ [lx]	u0	$E_{min} / E_{max}$	$E_{h\ m} / E_m$	H [m]	Camera
1	horizontal	645	481	838	0.75	0.57	/	0.000	/
2	Camera	359	285	599	0.79	0.48	1.80	1.000	1

$E_{h\ m} / E_m$  = Relationship between middle horizontal and vertical illuminance, H = Measuring Height

## 54 - Sala / Class II / Basketball 1 Calculation Grid (TA) / Summary



Scale 1 : 572

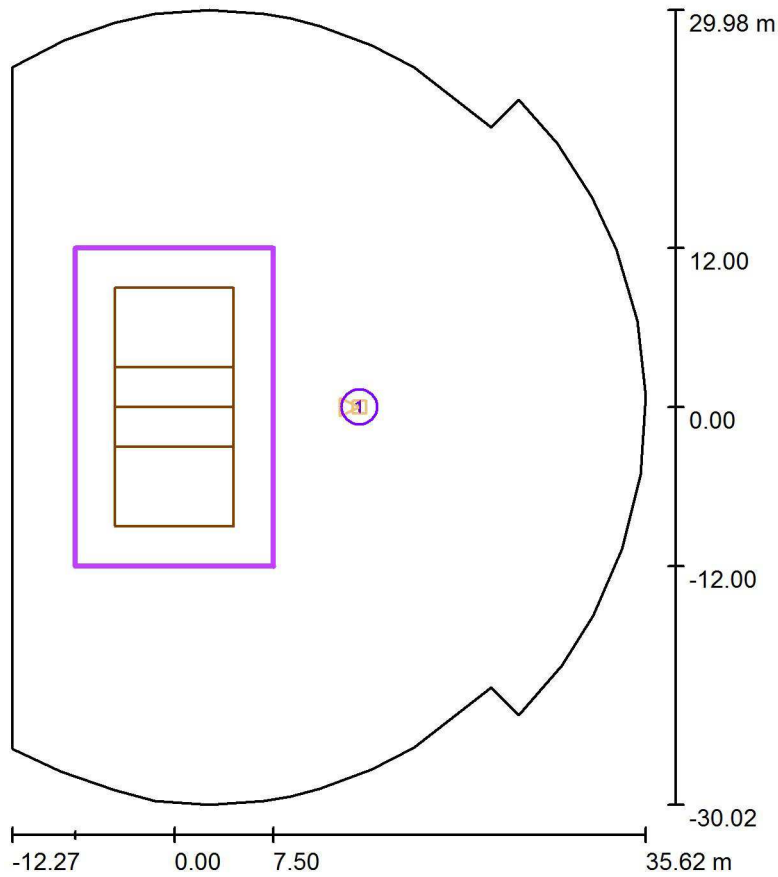
Position: (0.000 m, 0.000 m, 0.000 m)  
 Size: (32.000 m, 19.000 m)  
 Rotation: (0.0°, 0.0°, 90.0°)  
 Type: Normal, Grid: 15 x 9 Points  
 Belongs to the following sport arena: Basketball 1

### Results overview

No.	Type	$E_{av}$ [lx]	$E_{min}$ [lx]	$E_{max}$ [lx]	u0	$E_{min} / E_{max}$	$E_{h\ m} / E_m$	H [m]	Camera
1	horizontal	617	435	838	0.71	0.52	/	0.000	/

$E_{h\ m} / E_m$  = Relationship between middle horizontal and vertical illuminance, H = Measuring Height

## 54 - Sala / Class II / Volleyball 1 Calculation Grid (PA) / Summary



Scale 1 : 572

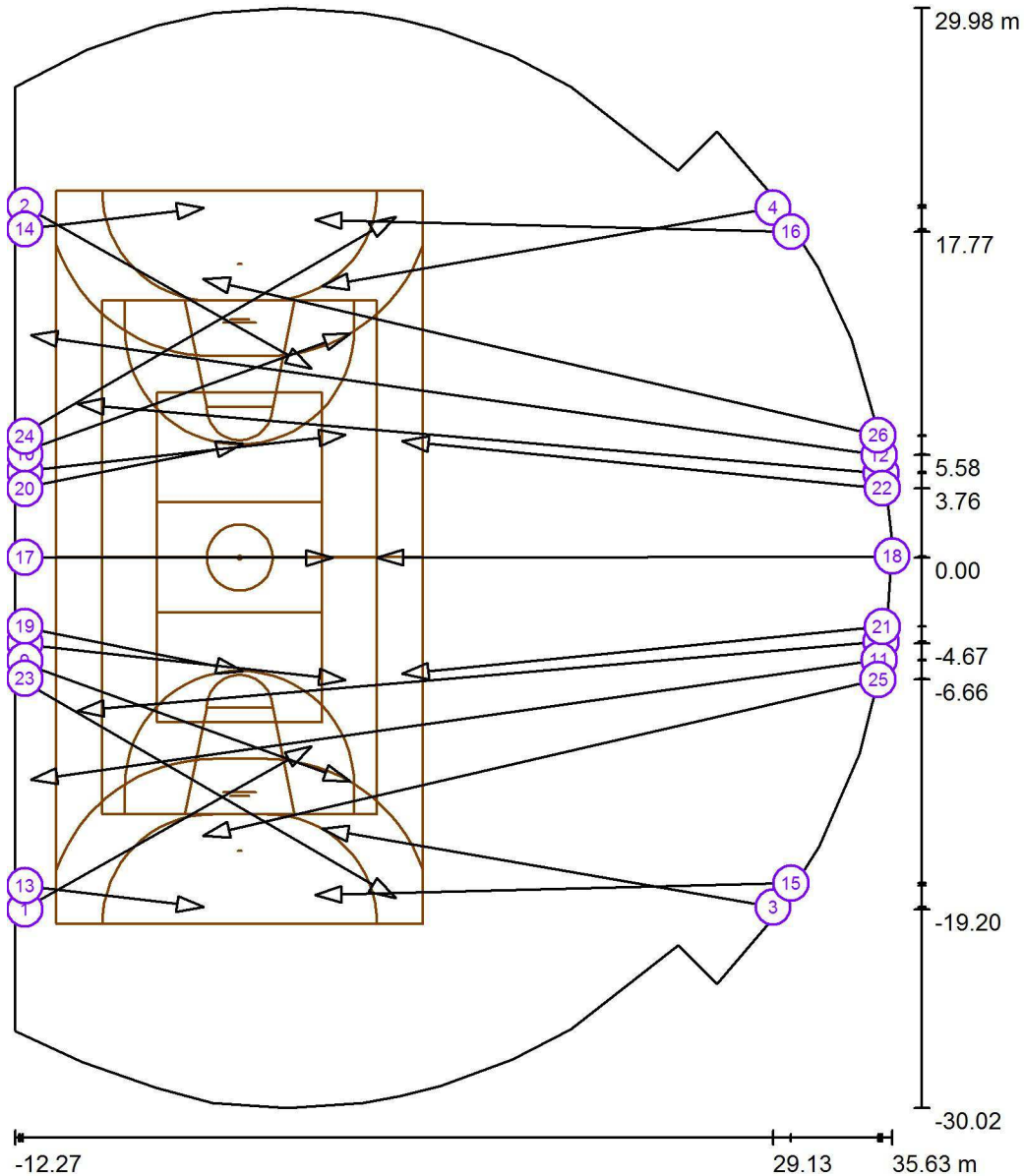
Position: (0.000 m, 0.000 m, 0.000 m)  
 Size: (24.000 m, 15.000 m)  
 Rotation: (0.0°, 0.0°, 90.0°)  
 Type: Normal, Grid: 13 x 9 Points  
 Belongs to the following sport arena: Volleyball 1

### Results overview

No.	Type	$E_{av}$ [lx]	$E_{min}$ [lx]	$E_{max}$ [lx]	$u_0$	$E_{min} / E_{max}$	$E_{h\ m} / E_m$	H [m]	Camera
1	horizontal	649	475	828	0.73	0.57	/	0.000	/
2	Camera	367	280	607	0.76	0.46	1.77	1.000	1

$E_{h\ m} / E_m$  = Relationship between middle horizontal and vertical illuminance, H = Measuring Height

## 54 - Sala / Class III / Sport Luminaires (Coordinates List)



Scale 1 : 406

### List of the Sport Luminaires

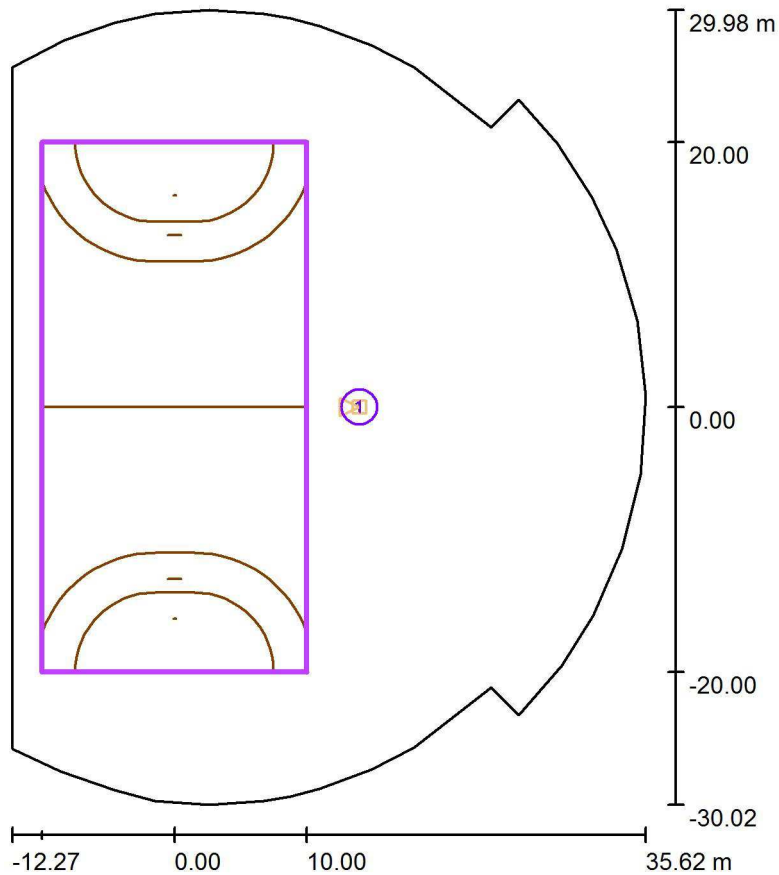
Luminaire	Index	Position [m]			Aiming Point [m]			Angle [°]	Alignment	Pole
		X	Y	Z	X	Y	Z			
Disano 1156 Forum - XL indoor Disano 1156 JMITS 1000 XL indoor S graphite	1	-11.848	-19.196	13.000	3.928	-10.309	0.000	35.7	(C 0, G IMax)	/
Disano 1156 Forum - XL indoor Disano 1156 JMITS 1000 XL indoor S graphite	2	-11.848	19.196	13.000	3.928	10.309	0.000	35.7	(C 0, G IMax)	/
Disano 1156 Forum - XL indoor Disano 1156 JMITS 1000 XL indoor S graphite	3	29.128	-19.070	13.000	4.500	-14.804	0.000	27.5	(C 0, G IMax)	/
Disano 1156 Forum - XL indoor Disano 1156 JMITS 1000 XL indoor S graphite	4	29.128	19.070	13.000	4.500	14.804	0.000	27.5	(C 0, G IMax)	/

## 54 - Sala / Class III / Sport Luminaires (Coordinates List)

### List of the Sport Luminaires

Luminaire	Index	Position [m]			Aiming Point [m]			Angle [°]	Alignment	Pole
		X	Y	Z	X	Y	Z			
Disano 1156 Forum - XL indoor Disano 1156 JM-TS 1000 XL indoor S graphite	5	-12.266	-4.674	13.000	5.768	-6.680	0.000	35.6	(C 0, G IMax)	/
Disano 1156 Forum - XL indoor Disano 1156 JM-TS 1000 XL indoor S graphite	6	-12.266	4.674	13.000	5.768	6.680	0.000	35.6	(C 0, G IMax)	/
Disano 1156 Forum - XL indoor Disano 1156 JM-TS 1000 XL indoor S graphite	7	35.021	-4.600	13.000	-8.851	-8.363	0.000	16.4	(C 0, G IMax)	/
Disano 1156 Forum - XL indoor Disano 1156 JM-TS 1000 XL indoor S graphite	8	35.021	4.600	13.000	-8.851	8.363	0.000	16.4	(C 0, G IMax)	/
Disano 1156 Forum - XL indoor Disano 1156 JM-TS 1000 XL indoor S graphite	9	-12.266	-5.630	13.000	6.047	-12.233	0.000	33.7	(C 0, G IMax)	/
Disano 1156 Forum - XL indoor Disano 1156 JM-TS 1000 XL indoor S graphite	10	-12.266	5.630	13.000	6.047	12.233	0.000	33.7	(C 0, G IMax)	/
Disano 1156 Forum - XL indoor Disano 1156 JM-TS 1000 XL indoor S graphite	11	34.917	-5.577	13.000	-11.400	-12.132	0.000	15.5	(C 0, G IMax)	/
Disano 1156 Forum - XL indoor Disano 1156 JM-TS 1000 XL indoor S graphite	12	34.917	5.577	13.000	-11.400	12.132	0.000	15.5	(C 0, G IMax)	/
Disano 1156 Forum - XL indoor Disano 1156 JM-TS 1000 XL indoor S graphite	13	-11.863	-17.905	13.000	-1.981	-19.070	0.000	52.6	(C 0, G IMax)	/
Disano 1156 Forum - XL indoor Disano 1156 JM-TS 1000 XL indoor S graphite	14	-11.863	17.905	13.000	-1.981	19.070	0.000	52.6	(C 0, G IMax)	/
Disano 1156 Forum - FL Disano 1156 JM-TS 1000 FL S graphite	15	30.101	-17.765	13.000	4.113	-18.408	0.000	26.6	(C 0, G IMax)	/
Disano 1156 Forum - FL Disano 1156 JM-TS 1000 FL S graphite	16	30.101	17.765	13.000	4.113	18.408	0.000	26.6	(C 0, G IMax)	/
Disano 1156 Forum - XL indoor Disano 1156 JM-TS 1000 XL indoor S graphite	17	-12.000	0.000	13.000	5.080	-0.025	0.000	37.3	(C 0, G IMax)	/
Disano 1156 Forum - FL Disano 1156 JM-TS 1000 FL S graphite	18	35.629	0.075	13.000	7.500	0.000	0.000	24.8	(C 0, G IMax)	/
Disano 1156 Forum - XL indoor Disano 1156 JM-TS 1000 XL indoor S graphite	19	-12.045	-3.762	13.000	0.165	-6.194	0.000	46.2	(C 0, G IMax)	/
Disano 1156 Forum - XL indoor Disano 1156 JM-TS 1000 XL indoor S graphite	20	-12.045	3.762	13.000	0.165	6.194	0.000	46.2	(C 0, G IMax)	/
Disano 1156 Forum - FM Disano 1156 JM-TS 1000 FM S graphite	21	35.086	-3.772	13.000	8.868	-6.342	0.000	26.3	(C 0, G IMax)	/
Disano 1156 Forum - FM Disano 1156 JM-TS 1000 FM S graphite	22	35.086	3.772	13.000	8.868	6.342	0.000	26.3	(C 0, G IMax)	/
Disano 1156 Forum - FL Disano 1156 JM-TS 1000 FL S graphite	23	-12.045	-6.610	13.000	8.523	-18.584	0.000	28.6	(C 0, G IMax)	/
Disano 1156 Forum - FL Disano 1156 JM-TS 1000 FL S graphite	24	-12.045	6.610	13.000	8.523	18.584	0.000	28.6	(C 0, G IMax)	/
Disano 1156 Forum - FM Disano 1156 JM-TS 1000 FM S graphite	25	34.851	-6.660	13.000	-1.998	-15.192	0.000	19.0	(C 0, G IMax)	/
Disano 1156 Forum - FM Disano 1156 JM-TS 1000 FM S graphite	26	34.851	6.660	13.000	-1.998	15.192	0.000	19.0	(C 0, G IMax)	/

## 54 - Sala / Class III / Handball 1 Calculation Grid (PA) / Summary



Scale 1 : 572

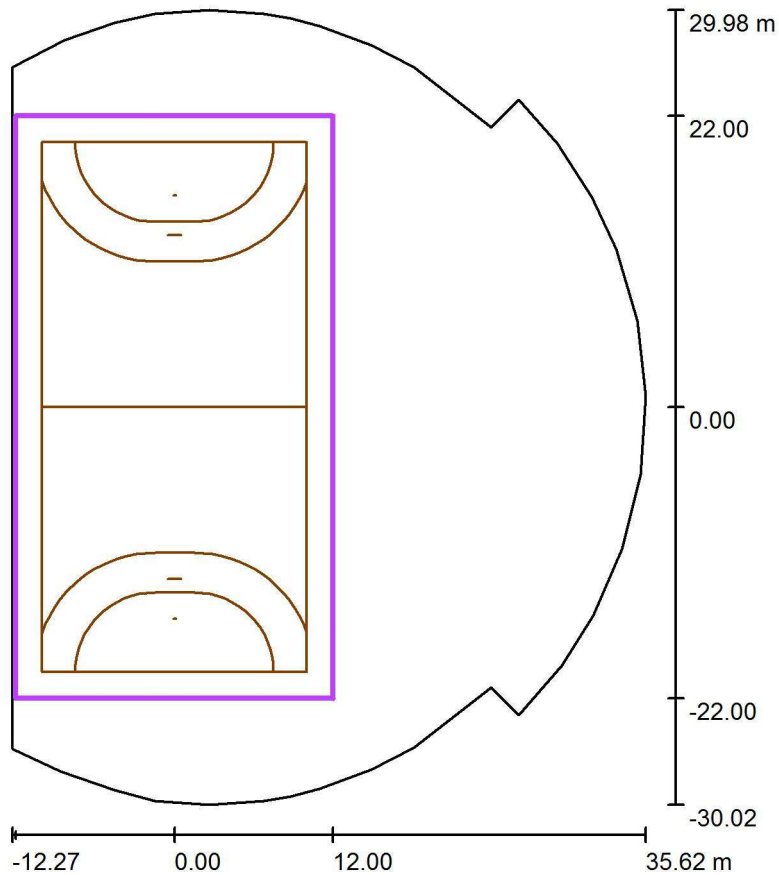
Position: (0.000 m, 0.000 m, 0.000 m)  
 Size: (40.000 m, 20.000 m)  
 Rotation: (0.0°, 0.0°, 90.0°)  
 Type: Normal, Grid: 15 x 7 Points  
 Belongs to the following sport arena: Handball 1

### Results overview

No.	Type	$E_{av}$ [lx]	$E_{min}$ [lx]	$E_{max}$ [lx]	$u_0$	$E_{min} / E_{max}$	$E_{h\ m} / E_m$	H [m]	Camera
1	horizontal	922	756	1230	0.82	0.61	/	0.000	/
2	Camera	649	366	1054	0.56	0.35	1.42	1.000	1

$E_{h\ m} / E_m$  = Relationship between middle horizontal and vertical illuminance, H = Measuring Height

## 54 - Sala / Class III / Handball 1 Calculation Grid (TA) / Summary



Scale 1 : 572

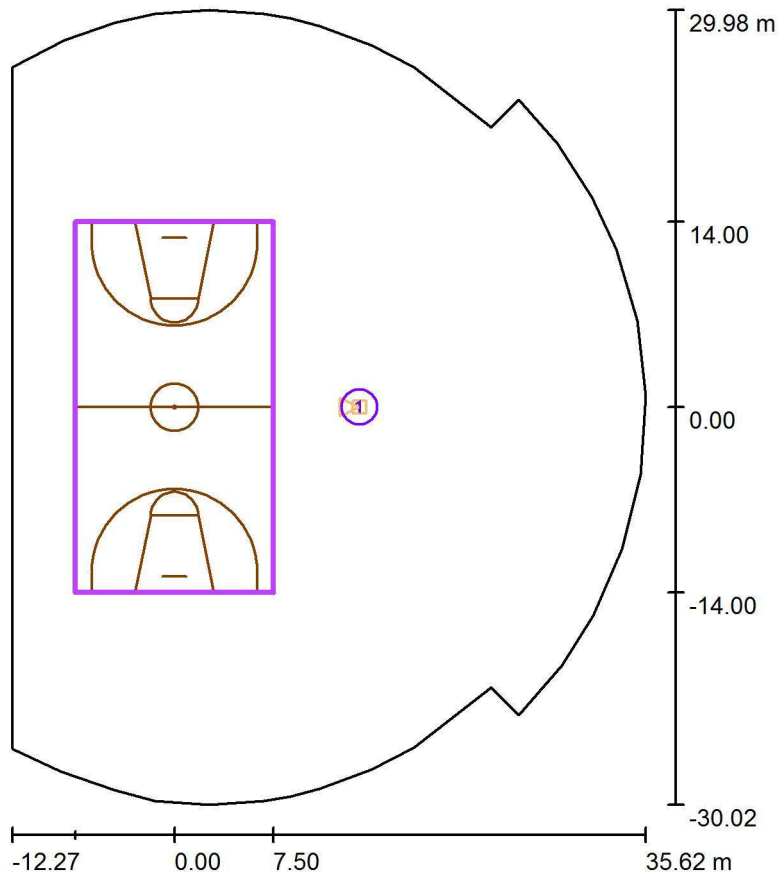
Position: (0.000 m, 0.000 m, 0.000 m)  
 Size: (44.000 m, 24.000 m)  
 Rotation: (0.0°, 0.0°, 90.0°)  
 Type: Normal, Grid: 15 x 9 Points  
 Belongs to the following sport arena: Handball 1

### Results overview

No.	Type	$E_{av}$ [lx]	$E_{min}$ [lx]	$E_{max}$ [lx]	u0	$E_{min} / E_{max}$	$E_{h\ m} / E_m$	H [m]	Camera
1	horizontal	845	427	1232	0.51	0.35	/	0.000	/

$E_{h\ m} / E_m$  = Relationship between middle horizontal and vertical illuminance, H = Measuring Height

## 54 - Sala / Class III / Basketball 1 Calculation Grid (PA) / Summary



Scale 1 : 572

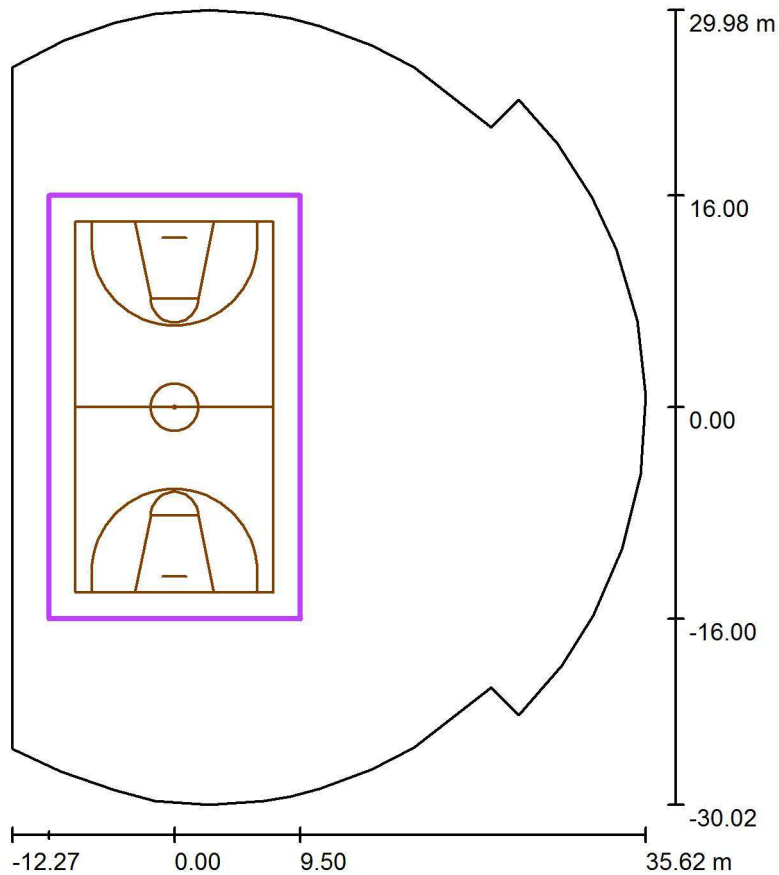
Position: (0.000 m, 0.000 m, 0.000 m)  
 Size: (28.000 m, 15.000 m)  
 Rotation: (0.0°, 0.0°, 90.0°)  
 Type: Normal, Grid: 13 x 7 Points  
 Belongs to the following sport arena: Basketball 1

### Results overview

No.	Type	$E_{av}$ [lx]	$E_{min}$ [lx]	$E_{max}$ [lx]	$u_0$	$E_{min} / E_{max}$	$E_{h\ m} / E_m$	H [m]	Camera
1	horizontal	983	816	1225	0.83	0.67	/	0.000	/
2	Camera	649	420	942	0.65	0.45	1.51	1.000	1

$E_{h\ m} / E_m$  = Relationship between middle horizontal and vertical illuminance, H = Measuring Height

## 54 - Sala / Class III / Basketball 1 Calculation Grid (TA) / Summary



Scale 1 : 572

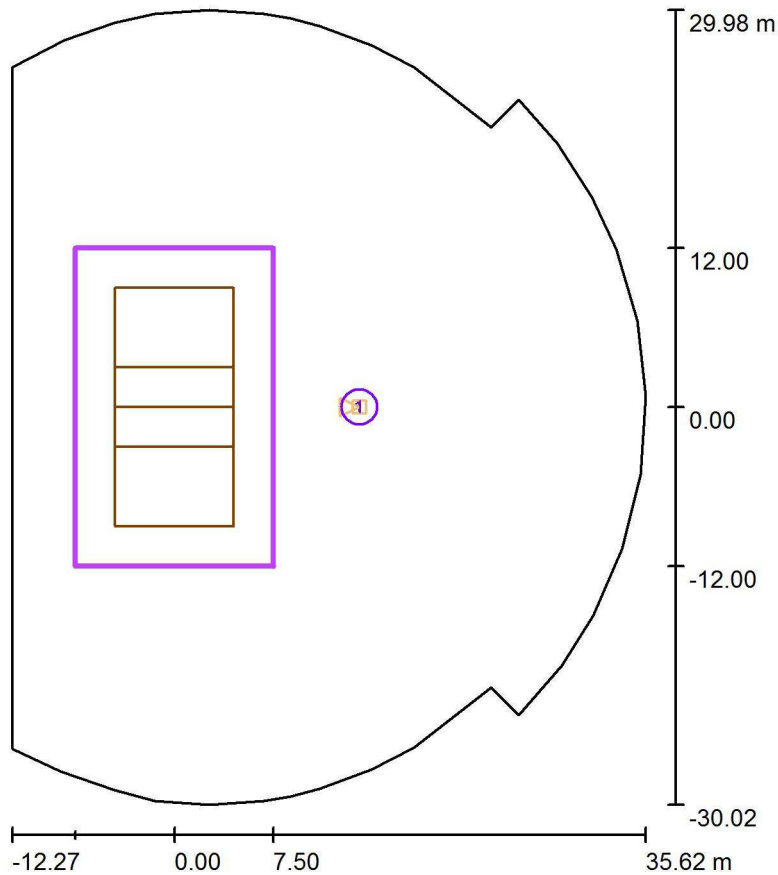
Position: (0.000 m, 0.000 m, 0.000 m)  
 Size: (32.000 m, 19.000 m)  
 Rotation: (0.0°, 0.0°, 90.0°)  
 Type: Normal, Grid: 15 x 9 Points  
 Belongs to the following sport arena: Basketball 1

### Results overview

No.	Type	$E_{av}$ [lx]	$E_{min}$ [lx]	$E_{max}$ [lx]	u0	$E_{min} / E_{max}$	$E_{h\ m} / E_m$	H [m]	Camera
1	horizontal	952	780	1223	0.82	0.64	/	0.000	/

$E_{h\ m} / E_m$  = Relationship between middle horizontal and vertical illuminance, H = Measuring Height

## 54 - Sala / Class III / Volleyball 1 Calculation Grid (PA) / Summary



Scale 1 : 572

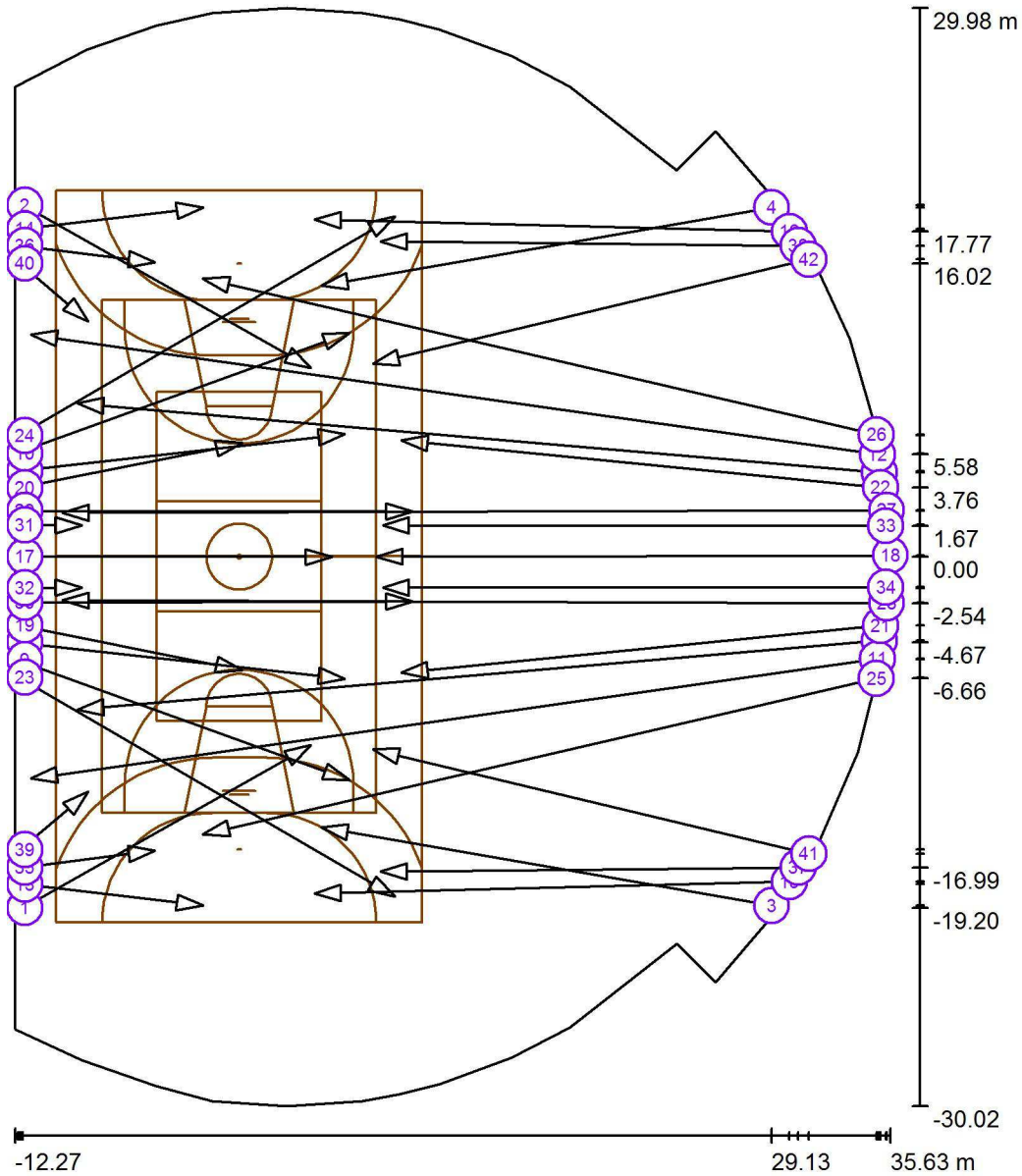
Position: (0.000 m, 0.000 m, 0.000 m)  
 Size: (24.000 m, 15.000 m)  
 Rotation: (0.0°, 0.0°, 90.0°)  
 Type: Normal, Grid: 13 x 9 Points  
 Belongs to the following sport arena: Volleyball 1

### Results overview

No.	Type	$E_{av}$ [lx]	$E_{min}$ [lx]	$E_{max}$ [lx]	$u_0$	$E_{min} / E_{max}$	$E_{h\ m} / E_m$	H [m]	Camera
1	horizontal	990	815	1241	0.82	0.66	/	0.000	/
2	Camera	639	415	959	0.65	0.43	1.55	1.000	1

$E_{h\ m} / E_m$  = Relationship between middle horizontal and vertical illuminance, H = Measuring Height

## 54 - Sala / Class TV / Sport Luminaires (Coordinates List)



Scale 1 : 406

### List of the Sport Luminaires

Luminaire	Index	Position [m]			Aiming Point [m]			Angle [°]	Alignment	Pole
		X	Y	Z	X	Y	Z			
Disano 1156 Forum - XL indoor Disano 1156 JMITS 1000 XL indoor S graphite	1	-11.848	-19.196	13.000	3.928	-10.309	0.000	35.7	(C 0, G IMax)	/
Disano 1156 Forum - XL indoor Disano 1156 JMITS 1000 XL indoor S graphite	2	-11.848	19.196	13.000	3.928	10.309	0.000	35.7	(C 0, G IMax)	/
Disano 1156 Forum - XL indoor Disano 1156 JMITS 1000 XL indoor S graphite	3	29.128	-19.070	13.000	4.500	-14.804	0.000	27.5	(C 0, G IMax)	/
Disano 1156 Forum - XL indoor Disano 1156 JMITS 1000 XL indoor S graphite	4	29.128	19.070	13.000	4.500	14.804	0.000	27.5	(C 0, G IMax)	/

## 54 - Sala / Class TV / Sport Luminaires (Coordinates List)

## List of the Sport Luminaires

Luminaire	Index	Position [m]			Aiming Point [m]			Angle [°]	Alignment	Pole
		X	Y	Z	X	Y	Z			
Disano 1156 Forum - XL indoor Disano 1156 JM-TS 1000 XL indoor S graphite	5	-12.266	-4.674	13.000	5.768	-6.680	0.000	35.6	(C 0, G IMax)	/
Disano 1156 Forum - XL indoor Disano 1156 JM-TS 1000 XL indoor S graphite	6	-12.266	4.674	13.000	5.768	6.680	0.000	35.6	(C 0, G IMax)	/
Disano 1156 Forum - XL indoor Disano 1156 JM-TS 1000 XL indoor S graphite	7	35.021	-4.600	13.000	-8.851	-8.363	0.000	16.4	(C 0, G IMax)	/
Disano 1156 Forum - XL indoor Disano 1156 JM-TS 1000 XL indoor S graphite	8	35.021	4.600	13.000	-8.851	8.363	0.000	16.4	(C 0, G IMax)	/
Disano 1156 Forum - XL indoor Disano 1156 JM-TS 1000 XL indoor S graphite	9	-12.266	-5.630	13.000	6.047	-12.233	0.000	33.7	(C 0, G IMax)	/
Disano 1156 Forum - XL indoor Disano 1156 JM-TS 1000 XL indoor S graphite	10	-12.266	5.630	13.000	6.047	12.233	0.000	33.7	(C 0, G IMax)	/
Disano 1156 Forum - XL indoor Disano 1156 JM-TS 1000 XL indoor S graphite	11	34.917	-5.577	13.000	-11.400	-12.132	0.000	15.5	(C 0, G IMax)	/
Disano 1156 Forum - XL indoor Disano 1156 JM-TS 1000 XL indoor S graphite	12	34.917	5.577	13.000	-11.400	12.132	0.000	15.5	(C 0, G IMax)	/
Disano 1156 Forum - XL indoor Disano 1156 JM-TS 1000 XL indoor S graphite	13	-11.863	-17.905	13.000	-1.981	-19.070	0.000	52.6	(C 0, G IMax)	/
Disano 1156 Forum - XL indoor Disano 1156 JM-TS 1000 XL indoor S graphite	14	-11.863	17.905	13.000	-1.981	19.070	0.000	52.6	(C 0, G IMax)	/
Disano 1156 Forum - FL Disano 1156 JM-TS 1000 FL S graphite	15	30.101	-17.765	13.000	4.113	-18.408	0.000	26.6	(C 0, G IMax)	/
Disano 1156 Forum - FL Disano 1156 JM-TS 1000 FL S graphite	16	30.101	17.765	13.000	4.113	18.408	0.000	26.6	(C 0, G IMax)	/
Disano 1156 Forum - XL indoor Disano 1156 JM-TS 1000 XL indoor S graphite	17	-12.000	0.000	13.000	5.080	-0.025	0.000	37.3	(C 0, G IMax)	/
Disano 1156 Forum - FL Disano 1156 JM-TS 1000 FL S graphite	18	35.629	0.075	13.000	7.500	0.000	0.000	24.8	(C 0, G IMax)	/
Disano 1156 Forum - XL indoor Disano 1156 JM-TS 1000 XL indoor S graphite	19	-12.045	-3.762	13.000	0.165	-6.194	0.000	46.2	(C 0, G IMax)	/
Disano 1156 Forum - XL indoor Disano 1156 JM-TS 1000 XL indoor S graphite	20	-12.045	3.762	13.000	0.165	6.194	0.000	46.2	(C 0, G IMax)	/
Disano 1156 Forum - FM Disano 1156 JM-TS 1000 FM S graphite	21	35.086	-3.772	13.000	8.868	-6.342	0.000	26.3	(C 0, G IMax)	/
Disano 1156 Forum - FM Disano 1156 JM-TS 1000 FM S graphite	22	35.086	3.772	13.000	8.868	6.342	0.000	26.3	(C 0, G IMax)	/
Disano 1156 Forum - FL Disano 1156 JM-TS 1000 FL S graphite	23	-12.045	-6.610	13.000	8.523	-18.584	0.000	28.6	(C 0, G IMax)	/
Disano 1156 Forum - FL Disano 1156 JM-TS 1000 FL S graphite	24	-12.045	6.610	13.000	8.523	18.584	0.000	28.6	(C 0, G IMax)	/
Disano 1156 Forum - FM Disano 1156 JM-TS 1000 FM S graphite	25	34.851	-6.660	13.000	-1.998	-15.192	0.000	19.0	(C 0, G IMax)	/
Disano 1156 Forum - FM Disano 1156 JM-TS 1000 FM S graphite	26	34.851	6.660	13.000	-1.998	15.192	0.000	19.0	(C 0, G IMax)	/
Disano 1156 Forum - XL indoor Disano 1156 JM-TS 1000 XL indoor S graphite	27	35.410	2.538	13.000	-9.657	2.397	0.000	16.1	(C 0, G IMax)	/
Disano 1156 Forum - XL indoor Disano 1156 JM-TS 1000 XL indoor S graphite	28	35.410	-2.538	13.000	-9.657	-2.397	0.000	16.1	(C 0, G IMax)	/
Disano 1156 Forum - XL indoor Disano 1156 JM-TS 1000 XL indoor S graphite	29	-12.097	2.511	13.000	9.493	2.450	0.000	31.1	(C 0, G IMax)	/
Disano 1156 Forum - XL indoor Disano 1156 JM-TS 1000 XL indoor S graphite	30	-12.097	-2.511	13.000	9.493	-2.450	0.000	31.1	(C 0, G IMax)	/

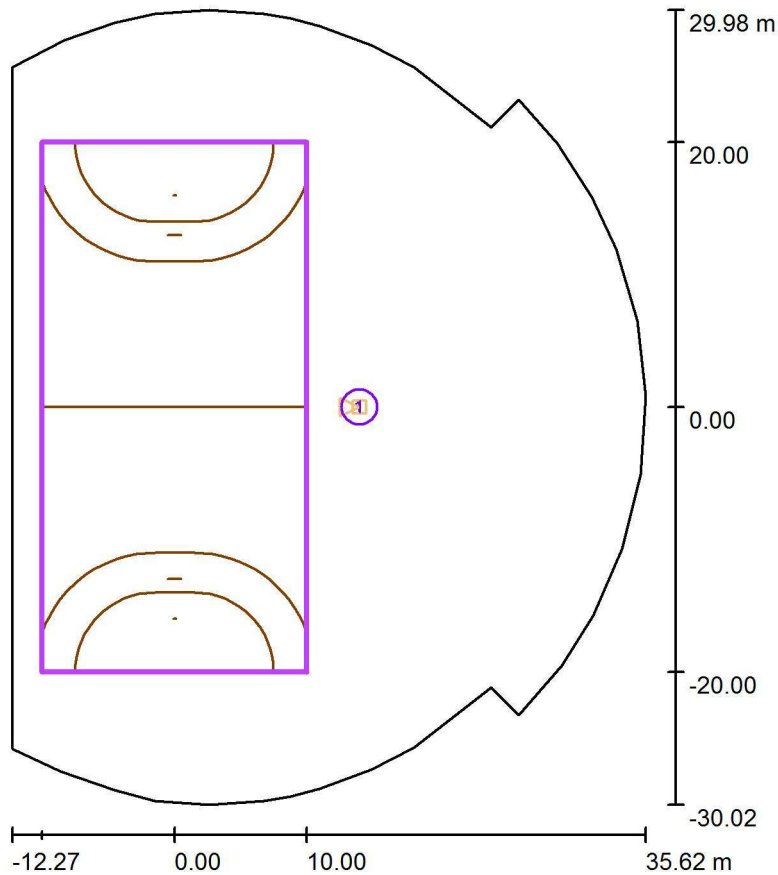
Disano 1156 Forum - XL indoor Disano 1156 JM-TS 1000 XL indoor S graphite	31	-11.997	1.727	13.000	-8.593	1.700	0.000	75.3	(C 0, G IMax)	/
Disano 1156 Forum - XL indoor Disano 1156 JM-TS 1000 XL indoor S graphite	32	-11.997	-1.727	13.000	-8.593	-1.700	0.000	75.3	(C 0, G IMax)	/
Disano 1156 Forum - FM Disano 1156 JM-TS 1000 FM S graphite	33	35.378	1.673	13.000	7.860	1.700	0.000	25.3	(C 0, G IMax)	/
Disano 1156 Forum - FM Disano 1156 JM-TS 1000 FM S graphite	34	35.378	-1.673	13.000	7.860	-1.700	0.000	25.3	(C 0, G IMax)	/
Disano 1156 Forum - XL indoor Disano 1156 JM-TS 1000 XL indoor S graphite	35	-11.914	-16.983	13.000	-4.615	-16.071	0.000	60.5	(C 0, G IMax)	/
Disano 1156 Forum - XL indoor Disano 1156 JM-TS 1000 XL indoor S graphite	36	-11.914	16.983	13.000	-4.615	16.071	0.000	60.5	(C 0, G IMax)	/
Disano 1156 Forum - FL Disano 1156 JM-TS 1000 FL S graphite	37	30.580	-16.991	13.000	7.747	-17.216	0.000	29.7	(C 0, G IMax)	/
Disano 1156 Forum - FL Disano 1156 JM-TS 1000 FL S graphite	38	30.580	16.991	13.000	7.747	17.216	0.000	29.7	(C 0, G IMax)	/
Disano 1156 Forum - XL indoor Disano 1156 JM-TS 1000 XL indoor S graphite	39	-11.983	-16.017	13.000	-8.250	-12.857	0.000	69.4	(C 0, G IMax)	/
Disano 1156 Forum - XL indoor Disano 1156 JM-TS 1000 XL indoor S graphite	40	-11.983	16.017	13.000	-8.250	12.857	0.000	69.4	(C 0, G IMax)	/

## 54 - Sala / Class TV / Sport Luminaires (Coordinates List)

### List of the Sport Luminaires

Luminaire	Index	Position [m]			Aiming Point [m]			Angle [°]	Alignment	Pole
		X	Y	Z	X	Y	Z			
Disano 1156 Forum - FL Disano 1156 JM-TS 1000 FL S graphite	41	31.166	-16.241	13.000	7.314	-10.550	0.000	27.9	(C 0, G IMax)	/
Disano 1156 Forum - FL Disano 1156 JM-TS 1000 FL S graphite	42	31.166	16.241	13.000	7.314	10.550	0.000	27.9	(C 0, G IMax)	/

## 54 - Sala / Class TV / Handball 1 Calculation Grid (PA) / Summary



Scale 1 : 572

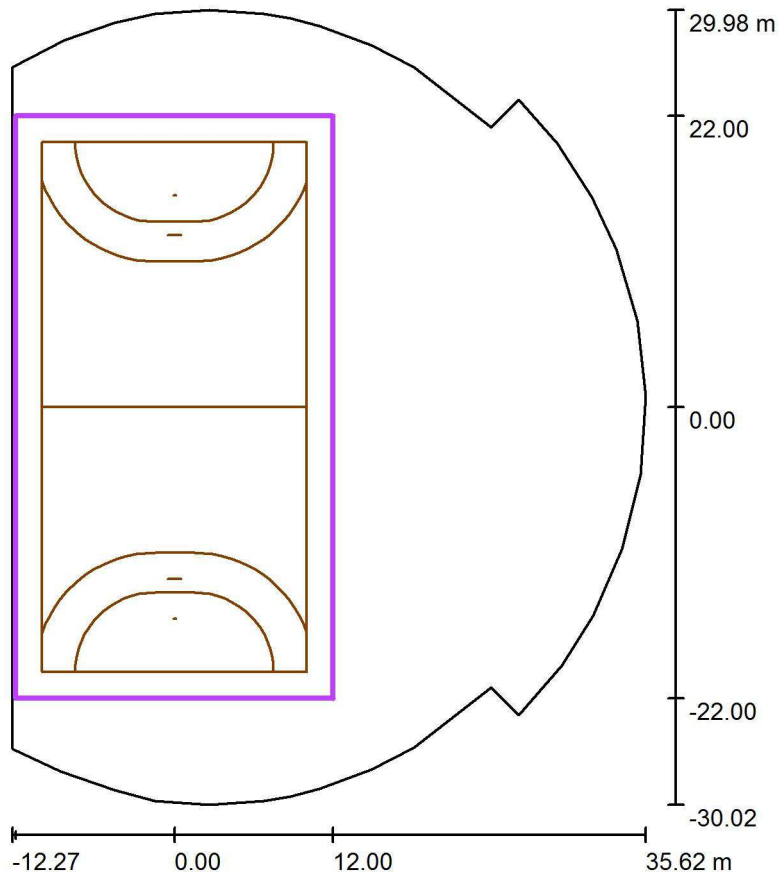
Position: (0.000 m, 0.000 m, 0.000 m)  
 Size: (40.000 m, 20.000 m)  
 Rotation: (0.0°, 0.0°, 90.0°)  
 Type: Normal, Grid: 15 x 7 Points  
 Belongs to the following sport arena: Handball 1

### Results overview

No.	Type	$E_{av}$ [lx]	$E_{min}$ [lx]	$E_{max}$ [lx]	$u_0$	$E_{min} / E_{max}$	$E_{h\ m} / E_m$	H [m]	Camera
1	horizontal	1463	1089	2097	0.74	0.52	/	0.000	/
2	Camera	1028	613	2675	0.60	0.23	1.42	1.000	1

$E_{h\ m} / E_m$  = Relationship between middle horizontal and vertical illuminance, H = Measuring Height

## 54 - Sala / Class TV / Handball 1 Calculation Grid (TA) / Summary



Scale 1 : 572

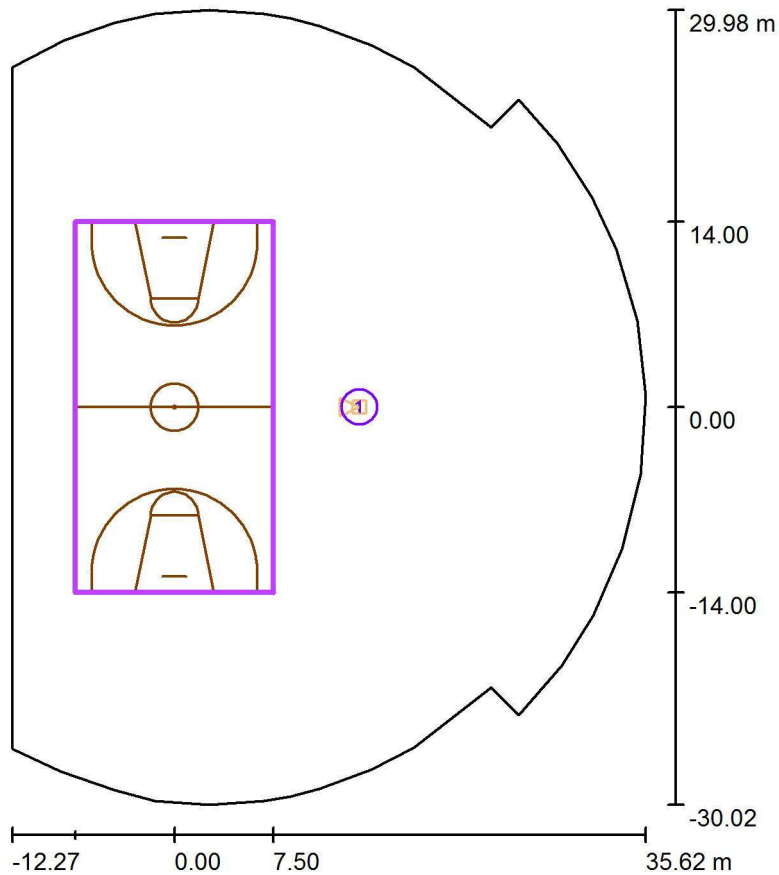
Position: (0.000 m, 0.000 m, 0.000 m)  
 Size: (44.000 m, 24.000 m)  
 Rotation: (0.0°, 0.0°, 90.0°)  
 Type: Normal, Grid: 15 x 9 Points  
 Belongs to the following sport arena: Handball 1

### Results overview

No.	Type	$E_{av}$ [lx]	$E_{min}$ [lx]	$E_{max}$ [lx]	u0	$E_{min} / E_{max}$	$E_{h\ m} / E_m$	H [m]	Camera
1	horizontal	1374	842	2077	0.61	0.41	/	0.000	/

$E_{h\ m} / E_m$  = Relationship between middle horizontal and vertical illuminance, H = Measuring Height

## 54 - Sala / Class TV / Basketball 1 Calculation Grid (PA) / Summary



Scale 1 : 572

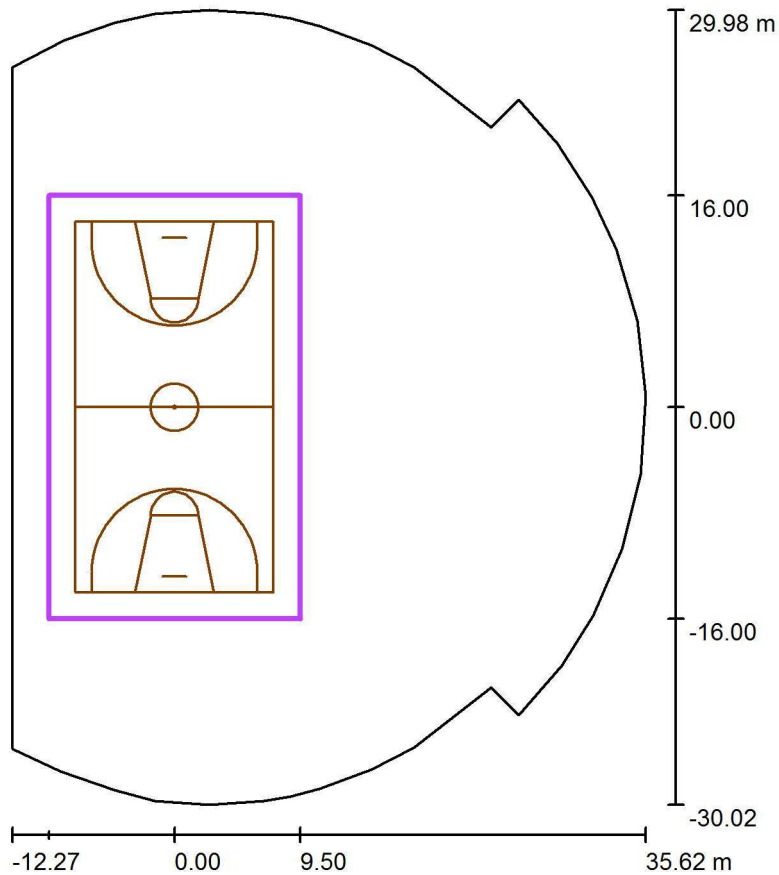
Position: (0.000 m, 0.000 m, 0.000 m)  
 Size: (28.000 m, 15.000 m)  
 Rotation: (0.0°, 0.0°, 90.0°)  
 Type: Normal, Grid: 13 x 7 Points  
 Belongs to the following sport arena: Basketball 1

### Results overview

No.	Type	$E_{av}$ [lx]	$E_{min}$ [lx]	$E_{max}$ [lx]	$u_0$	$E_{min} / E_{max}$	$E_{h\ m} / E_m$	H [m]	Camera
1	horizontal	1535	1254	2111	0.82	0.59	/	0.000	/
2	Camera	1072	710	2119	0.66	0.33	1.43	1.000	1

$E_{h\ m} / E_m$  = Relationship between middle horizontal and vertical illuminance, H = Measuring Height

## 54 - Sala / Class TV / Basketball 1 Calculation Grid (TA) / Summary



Scale 1 : 572

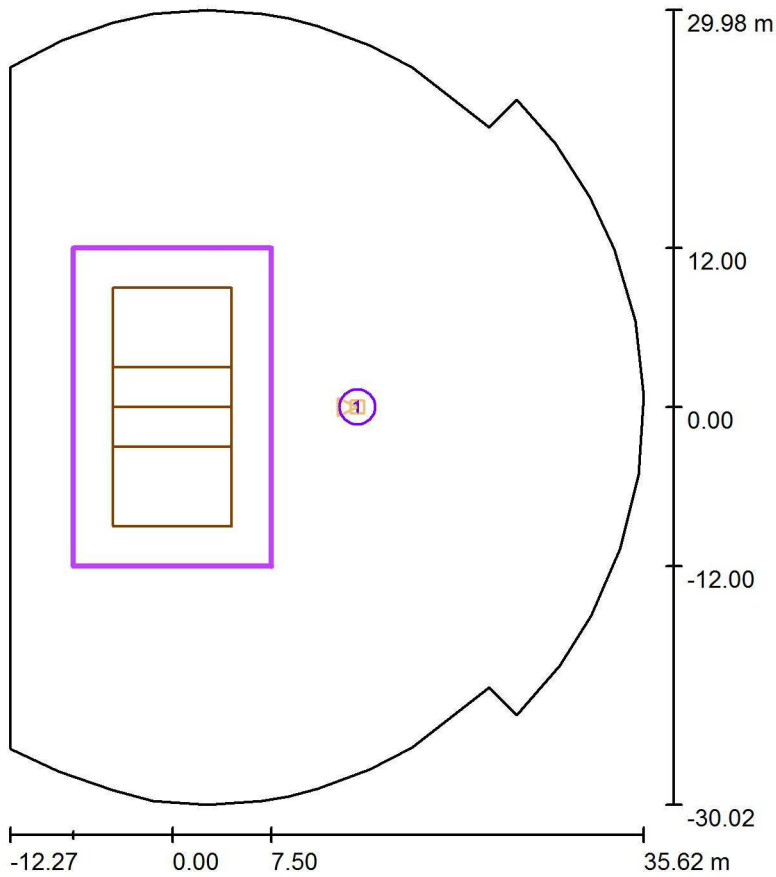
Position: (0.000 m, 0.000 m, 0.000 m)  
 Size: (32.000 m, 19.000 m)  
 Rotation: (0.0°, 0.0°, 90.0°)  
 Type: Normal, Grid: 15 x 9 Points  
 Belongs to the following sport arena: Basketball 1

### Results overview

No.	Type	$E_{av}$ [lx]	$E_{min}$ [lx]	$E_{max}$ [lx]	u0	$E_{min} / E_{max}$	$E_{h\ m} / E_m$	H [m]	Camera
1	horizontal	1517	1227	2112	0.81	0.58	/	0.000	/

$E_{h\ m} / E_m$  = Relationship between middle horizontal and vertical illuminance, H = Measuring Height

## 54 - Sala / Class TV / Volleyball 1 Calculation Grid (PA) / Summary



Scale 1 : 572

Position: (0.000 m, 0.000 m, 0.000 m)  
 Size: (24.000 m, 15.000 m)  
 Rotation: (0.0°, 0.0°, 90.0°)  
 Type: Normal, Grid: 13 x 9 Points  
 Belongs to the following sport arena: Volleyball 1

### Results overview

No.	Type	$E_{av}$ [lx]	$E_{min}$ [lx]	$E_{max}$ [lx]	$u_0$	$E_{min} / E_{max}$	$E_{h\ m} / E_m$	H [m]	Camera
1	horizontal	1555	1255	2111	0.81	0.59	/	0.000	/
2	Camera	1083	697	2175	0.64	0.32	1.44	1.000	1

$E_{h\ m} / E_m$  = Relationship between middle horizontal and vertical illuminance, H = Measuring Height