

# Request for quotation (RFQ) for goods

Purchase of equipment for hairdressing and  
beauty salons in Obrenovac

RFQ No: **UNOPS-SFRS-2015-G-030**

**Request for quotation (RFQ)  
for Purchase of equipment for hairdressing and beauty salons in  
Obrenovac**

**RFQ NO. UNOPS-SFRS-2015-G-030**

Date: 28 May 2015

UNOPS is accepting quotations from suppliers for purchase of equipment for hairdressing and beauty salons in Obrenovac.  
All interested parties must complete and return the attached price sheet to the following e-mail address: [srpc.bids@unops.org](mailto:srpc.bids@unops.org)  
or in a sealed envelope to:  
UNOPS, Sumatovacka 59, 11 000 Belgrade.

## 1 Requirements and price list (Annex A)

Quotations need to be submitted by using the Requirements and Price List contained in Annex A.

## 2 Eligibility

Bidders must not be associated, or have been associated in the past, directly or indirectly, with a firm or any of its affiliates which have been engaged by UNOPS to provide consulting services for the preparation of the design, specifications, and other documents to be used for the procurement of the goods under this request for quotation.

Bidders must not be under a declaration of ineligibility for corrupt and fraudulent practices published by UNOPS on its website. Bidders must meet the eligibility criteria as published on the UNOPS website.

## 3 Currency

All prices shall be quoted in RSD – Republic of Serbia Dinar

UNOPS reserves the right not to reject any bids submitted in another currency than the mandatory bidding currency stated above. UNOPS may accept bids submitted in another currency than stated above if the bidder confirms during clarification of bids (1.18) in writing that it will accept a contract issued in the mandatory bid currency and that for conversion the official United Nations operational rate of exchange of the day of RFQ deadline as stated in the RFQ letter shall apply.

Regardless of the currency of bids received, the contract will always be issued and subsequent payments will be made in the mandatory bidding currency above.

## 4 Evaluation

UNOPS evaluates quotations based on lowest priced most technically acceptable quotation received.

## 5 Delivery (for goods)

All items shall be delivered and installed in 15 days from the date of order.

## 6 Mobilization and duration (for services) n/a

*Service provision shall commence calendar days after contract signature. The successful supplier is expected to complete the services by (date).*

## 7 Quotations due

All quotations must be received to the address stated below no later than:

Date: 08 June 2015  
Time: 12:00h CET  
Address: UNOPS RSOC, Šumatovačka 59, 11000 Beograd  
Or to E-mail: srpc.bids@unops.org  
Contact person: Suzana Tanaskovic

Quotations submitted shall be binding and valid for a period of ninety (90) days from the due date stated herein. Any prices accepted during this period will be considered firm/fixed for the resulting purchase order.

Bids per Lot are allowed. UNOPS reserves the right to make multiple arrangements per Lots. The supplier agrees to acknowledge the purchase order in the form provided upon award, under the terms and conditions stated therein, and for the agreed amount.

## 8 UNOPS General Conditions of Contract

Any order resulting from this RFQ exercise will be subject to the UNOPS General Conditions of Contract available for goods, small services and services at the following addresses:  
<http://www.unops.org/SiteCollectionDocuments/Procurement/UNOPS%20General%20Conditions%20for%20Goods.pdf>  
<http://www.unops.org/SiteCollectionDocuments/Procurement/GCCs%20For%20Professional%20Services.pdf>  
<http://www.unops.org/SiteCollectionDocuments/Procurement/Conditions-of-services-below50K.pdf>

## 9 Clarifications

Suppliers with questions or requests for more information are encouraged to send them to the email address [srpc.procurement@unops.org](mailto:srpc.procurement@unops.org) promptly in order to allow time for the provision of a written response. Explanations or interpretations provided by personnel other than the above will not be considered binding or official.

## 10 Quotation form (Annex B)

The attached Quotation Form needs to be completed and signed. Suppliers shall return the completed and signed Quotation Form with their quotation.

**Approved by:**

Date: 28 May 2015

  
Svetlana Mijuk, UNOPS SFRS Project Manager

## **ANNEX A**

### **Requirements and price list**

The following documents form part of this RFQ and must be completed and returned with your offer:

1. Quotation comparative data form
2. Bid price&delivery form
3. Previous experience form

As part of the tender documentation the Bidders shall also provide:

1. Company registration documents (not older than six months from the deadline for submission of quotations),
2. Catalogue, brochure or similar document that will prove the required technical characteristics of the offered goods.

## **ANNEX B**

### **RFQ – Quotation form**

Quotation form must be completed signed and returned to UNOPS. The quotations must be made in accordance with the instructions contained in this request.

UNOPS General Conditions of Contract will apply to any resulting purchase order/contract. A link to the UNOPS General Conditions of Contract is included in the RFQ document.

The under signed, having read the terms and conditions of RFQ-UNOPS-SFRS-2015-G-030 set out in the attached document, here by offers to supply the goods specified in the RFQ at the price or prices quoted, in accordance with any specifications stated and subject to the terms and conditions set out or specified in the document.

Signature: \_\_\_\_\_

Date: \_\_\_\_\_

Name and title: \_\_\_\_\_

Company: \_\_\_\_\_

Postal address: \_\_\_\_\_

Tel. no: \_\_\_\_\_

Fax no: \_\_\_\_\_

Email address: \_\_\_\_\_

Validity of offer: \_\_\_\_\_

Currency of offer: \_\_\_\_\_

Payment terms 30 days accepted:

Quotation to be addressed to: UNOPS RSOC,  
Šumatovačka 59, 11000 Beograd  
Tel.: 011/243-5703 or  
E-mail: [srpc.bids@unops.org](mailto:srpc.bids@unops.org)

## 1. Comparative data form

Bidders are required to complete the following with "Yes", "No" or specific information requested for the items being supplied.

### LOT 1: EQUIPMENT FOR HAIRDRESSING SALONS

Item 1: **Ceramic Shampoo Chair for hair washing / Keramička šamponjera za pranje kose**  
 Quantity: 1 piece / Količina: 1 komad

UNOPS minimum technical requirements	Bidders to fill-in
<p>Height: 1000 mm            Length: 1120 mm            Width: 660 mm            Supply line of water: from underneath and back            Water drain: from underneath and back            Setting slope of ceramics            Stability: floor installation            Warranty period: minimum 1 year</p> <hr/> <p>Visina: 1000 mm            Dužina: 1120 mm            Širina: 660 mm            Dovod vode: sa zadnje strane i podno            Odvod vode: sa zadnje strane i podno            Podešavanje nagiba keramike            Stabilnost: Podna montaža            Garancija: minimalno 1 godina</p>	

Item 2: **Professional hair dryer / Profesionalni fen za kosu**  
 Quantity: 10 pieces / Količina: 10 komada

<p>Hair dryer with an engine power of min. 1700 max.2000W            Powerful air flow            Cable length: min. 2 m            Warranty: minimum 1 year</p> <hr/> <p>Fen za kosu sa motorom snage min. 1700 max. 2000W            Snažan protok vazduha            Dužina kabla minimum 2 m            Garancija: minimalno 1 godina</p>	
---	--

**Item 3: Straightening Iron / Presa za kosu**

Quantity: 8 pieces / Količina: 8 komada

<p>Smooth plates          Dimensions: from 25 x to 120mm          Fast heating - about 30 seconds          The exterior of the device of material which prevents burning          Cable length min. 2 m          Operating mode: 100-240 V          Warranty: minimum 1 year</p> <hr/> <p>Glatke ploče          Dimenzije: od 25 x do 120mm          Brzo zagrevanje - oko 30 sekundi          Spoljašnjost aparata od materijala koji sprečava opekotine          Dužina kabla približno 2 m          Režim rada: 100-240 V          Garancija: minimalno 1 godina</p>	
---	--

**Item 4: Curling Iron / Figaro**

Quantity: 8 pieces / Količina: 8 komada

<p>Titanium tube          Temperature range: 140°C - 200°C          Instant warm-up: the device is ready to work in 30 seconds          Cable length min. 1.5m          Size: diameter Ø from 18-25 mm          Warranty: minimum 1 year</p> <hr/> <p>Titanijumska cev          Temperaturni interval: 140°C - 200C          Trenutno zagrevanje: aparat je spreman za rad za 30 sekundi          Dužina kabla približno 1.5m dužine          Veličina: Ø od 18-25 mm          Garancija: minimalno 1 godina</p>	
--	--

**Item 5: UV Sterilizer / UV Sterilizator**

Quantity: 3 pieces / Količina: 3 komada

<p>Working mode: 230V, 50Hz, Lamp power: min. 8W Sterilization time: 30-45 minutes Purpose: Sterilization of hairdressing tools, manicure and pedicure accessories Warranty: minimum 1 year</p> <hr/> <p>Režim rada: 230 V, 50 Hz, Snaga lampe: min. 8 W Vreme sterilizacije: 30-45 minuta Namena: Sterilizacija frizerskog, manikir i pedikir pribora Garancija: minimalno 1 godina</p>	
--	--

**Item 6: Hair Clipper / Mašinica za šišanje**

Quantity: 4 pieces / Količina: 4 komada

<p>Adjustable electromagnet clipper set 8 combs Cleaning brush Protection for knife Easy manual adjustment from 0.25 mm to 3 mm Lubricating oil 230 V, 50 Hz, 12 W Warranty: minimum 1 year</p> <hr/> <p>Podesiva elektromagnetna mašinica set 8 češljeva Četkica za čišćenje Zaštita za nož Lako manuelno podešavanje od 0.25 mm do 3 mm Ulje za podmazivanje 230 V, 50 Hz, 12 W Garancija: minimum 1 godina</p>	
---	--

**Item 7: Scissors hair clipper set / Makaze za šišanje set**

Quantity: 7 pieces / Količina: 7 komada

<p>1. <u>Scissors for haircut - 5 pieces</u> Size: 5 " (13 cm) Edge: micro teeth (<b>for straight haircut</b>) Form: Regular Material: Stainless steel Appendix resting finger</p> <p>2. <u>Scissors for haircut - 5 pieces</u> Size: 5 " (13 cm) Edge: self-sharpening (<b>for sliding haircut</b>)</p>	
--	--

<p>Form: Regular Material: stainless steel Appendix resting finger</p> <hr/> <p>1. <u>Makaze za šišanje - 5 komada</u> Veličina: 5" (13 cm) Sečivo: mikro zubi (<b>za ravno šišanje</b>) Oblik: Regular Materijal: Nerđajući čelik Dodatak za odmaranje prsta</p> <p>2. <u>Makaze za šišanje - 5 komada</u> Veličina: 5" (13 cm) Sečivo: samooštreće (<b>za klizno šišanje</b>) Oblik: Regular Materijal: nerđajući čelik Dodatak za odmaranje prsta</p>	
--	--

**Item 8: Hair brushes set / Četke za kosu set**  
Quantity: 4 pieces / Količina: 4 komada

<p>The ceramic body with synthetic hair that evenly distributes heat across the entire body brushes. Plastic handle Contents of the kit: Brush dimensions: 16 / 29mm- 5 pcs Brush dimensions: 25 / 38mm- 5 pcs Brush dimensions: 34 / 49mm- 5 pcs Brush dimensions: 56 / 76mm- 5 pcs</p> <hr/> <p>Keramičko telo sa sintetičkim dlakama koje ravnomerno raspoređuje toplotu duž čitavog tela četke. Plastična drška Sadržina seta: Četka dimenzije: 16/29mm - 5 kom Četka dimenzije: 25/38mm - 5 kom Četka dimenzije: 34/49mm - 5 kom Četka dimenzije: 56/76mm - 5 kom</p>	
--	--

**Item 9: Paper towels / Papirni peškiri**  
Quantity: 18 pieces / Količina: 18 komada

<p>Paper towels, disposable Large water absorption Packing: 100 pcs. Size: 40x70 cm</p> <hr/> <p>Papirni peškiri za jednokratnu upotrebu Velika moć upijanja vode Pakovanje: 100 kom. Veličina: 40x70 cm</p>	
--	--

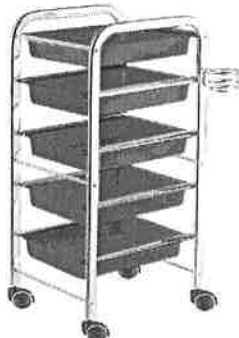
**Item 10: Set for hair coloring / Set za farbanje kose**

Quantity: 15 pieces / Količina: 15 komada

Plastic container for hair coloring 200ml Plastic brush for hair coloring <hr/> Plastična posuda za farbanje 200ml Plastična četka za farbanje	
---	--

**Item 11: Hairdressing trolley / Hauba za kosu sa podnim nosačem**


Quantity: 3 pieces / Količina: 3 komada

Movable plastic trolley with min. 5 shelves, metal frame and metal holder for hair dryer, 4 wheels Dimensions min. 38x30,5x85,5 cm Equal or similar to drawing  <hr/> Pomoćna frizerska kolica sa min.5 polica metalnim okvirom i metalnim držačem za fen, 4 točka Dimenzije min. 38x30,5x85,5 cm Slicno ili jednako slici.	
--	--

**Item 12: Hood Dryer with floor bracket / Hauba za kosu sa podnim nosačem**

Quantity: 1 piece / Količina: 1 komad

The hood dryer with two speeds Min. 1165 W Working mode: 230V, 50Hz Warranty: minimum 1 year Equal or similar to drawing	
--	--

	
<p>Hauba za kosu sa dve brzine                  Približno 1165 W                  Režim rada: 230V, 50Hz                  Garancija: minimum 1 godina                  Slicna ili jednaka slici</p>	

**LOT 2: EQUIPMENT FOR BEAUTY SALONS**
**Item 1: Set of accessories for manicure and nail extension / Set pribora za manikir i nadogradnju noktiju**

Quantity: 1 piece / Količina: 1 komad

<p>-Files Manicure different granulation, 10 pcs                  -Metal cuticle pusher, 3 pcs                  -Wooden cuticle pusher, 50 pcs                  -Brush for dust removal created by nails polishing ,3 pcs                  -Nail nipper, metal3 pcs                  -Metal spatula for mixing all types of acrylic powder, glitter gels and gels in colors, 2 pcs                  -Clippers for cutting and shaping of artificial nails, metal 2 pcs                  - Rolls Manicure, Dimensions: 5 x 4 cm, 2 pcs                  - Manicure scissors, metal 2 pcs                  - Manicure armrest, rounded, minimum dimensions 295x135x75mm, 2 pcs                  -Tips roll, 2 pcs                  -Tweezer stylo, stainless steel, 5 pcs                  -Nail art set of 5 brushers, 2 sets                  -Gel brusher, 10pcs                  -Shaped grill disposable mold for nail extension, roll, 100 pcs</p>	
<p>-Turpije za manikir različitih granulacija, 10 kom                  -Metalni gurač zanoktica, 3 kom                  -Gurač zanoktica drveni, 50 kom                  -Četka za uklanjanje prašine nastale prilikom turpisanja noktiju, 3 kom                  -Grickalica za nokte, metalna 3 kom</p>	

<ul style="list-style-type: none"> <li>-Metalna spatula za mešanje svih vrsta akril praha, glitera i gela, kao i gelova u boji, 2 kom</li> <li>-Cangle za sečenje i oblikovanje veštačkih noktiju, metalne 2 kom</li> <li>- Rolna za manikir, Dimenzije: 5 x 4 cm, 2 kom</li> <li>- Makazice za manikir, metalne 2kom</li> <li>- Jastuče za manikir, zaobljeno, dimenzije minimalno 295x135x75mm, 1 kom</li> <li>-Tipse rolna, 2 kom</li> <li>-Pincete od nerđajućeg čelika, 5 kom</li> <li>-Nail artset od 5 četkica , 2 seta</li> <li>-Četkica za gel, 10kom</li> <li>-Jednokratne šablon nalepnice za izlivanje noktiju, rolna, 100 kom</li> </ul>	
---	--

**Item 2: Depilatory set / Set za depilaciju**


Quantity: 1 piece / Količina: 1 komad

<p><u>Depilation cropped strips - 100 packing</u>                  Packaging: 100/1,                  Length: 20- 22cm, Width: 7cm</p> <p><u>Depilatory wax (cold), bee wax, cartridge roll, working temperature: appx 55-58 C</u></p> <hr/> <p><u>Sečene trake za depilaciju -100pakovanja</u>                  Pakovanje: 100/1,                  Dužina:20- 22cm, Širina:7cm</p> <p><u>Vosak za hladnu depilaciju, pčelinji-patrona sa rolerom,</u>                  Radna temperatura: približno 55 - 58 C- 50 kom</p>	
--	--


**Item 3: Portable cosmetics bed for massage and depilation / Sklopivi kozmetički krevet za masažu i depilaciju**

Quantity: 1 piece / Količina: 1 komad

<p>Lenght: min. 1820 mm                  Width: min. 620 mm                  Height: min. 740 mm                  Carrying Capacity: 200 kg                  Material: ECO vinyl                  Opening for face with extra pillow                  Shelf under the bed                  Adjustable point of support</p> <p>Warranty: mininum 1 year                  Equal or similar to drawing</p>	
---	--

	
<p>                 Dužina: min. 1820 mm                  Širina: min. 620 mm                  Visina: min. 740 mm                  Nosivost: 200 kg                  Tapacirung: ECO skaj                  Otvorza lice sadodatnimjastukom                  Dodatnapolicaispodležaja                  Podesivinaslonzaleđa                  Garancija: minimalno 1 godina                  Jednako ili slično crtežu             </p>	

**Item 4: Manicure Table / Chair / Manikir sto / stolica**  
 Quantity: 1 piece / Količina: 1 komad

<p>                 Hydraulic chair with additional table for a manicure, min. 4-wheel                  Adjustable seat height from 470 to 640 mm                  Warranty: mininum 1 year                  Equal or similar to drawing             </p> 	
<p>                 Hidraulična stolica sa dodatnim sklopivim stolom za manikir, min. 4 točka                  Podesiva visina sedišta od 470 do 640 mm                  Jednako ili slično crtežu             </p>	

**Item 5: Aspirator for manicure / Aspirator za manikir**

Quantity: 1 piece / Količina: 1 komad

Hand holder with aspirator  
 Work mode: 220-240V, 50Hz, ~25W  
 Warranty: minimum 1 year  
 Equal or similar to drawing



Naslon za ruku sa aspiratorom  
 Režim rada: 220-240V, 50Hz, ~25W Garancija: minimalno  
 1 godina  
 Jednako ili slično crtežu

**Item 6: LED Table Lamp for Manicure / LED Lampa za manikir stolove**

Quantity: 1 piece / Količina: 1 komad

Work Mode: 220V, 50-60Hz  
 Power: min. 4W  
 Three adjustable points for lamp angle  
 LED lamp  
 Possible rotation of head lamp- 360°  
 Portable  
 Warranty: minimum 1 year  
 Equal or similar to drawing



Režim rada: 220V, 50-60Hz  
 Snaga: min. 4W  
 Tri zgloba za podešavanje nagiba  
 Led lampice  
 Mogućnost okretanja glave lampe za 360°

Lakoprenosiva Garancija: minimalno 1 godina Jednako ili slično crtežu	
---	--


**Item 7: UV Lamp / UV lampa**

Quantity: 1 piece / Količina: 1 komad

Power: 36W (4 x 9W) Work Mode: 230 V, 50/60 Hz Timer: 120sec./180sec./constant work Specially designed for a manicure and pedicure The possibility of drying the polish and UV gel at the same time Warranty: mininum 1 year <hr/> Snaga: 36W (4 x 9W) Režim rada: 230V, 50/60 Hz Tajmer 120/180 sekundi i konstantan rad Specijalno dizajnirana za manikir i pedikir Mogućnost istovremenog sušenja laka i UV gela Garancija: minimalno 1 godina	
--	--

**Item 8: Manicure Table / Manikir sto**

Quantity: 1 piece / Količina: 1 komad

Mobile table, with wheels and 4 drawers Dimensions: min.1200x475x770 (LxWxH) Equal or similar to drawing  <hr/> Pokretan, sklopivi sto sa točkicama i 4 fioke Dimenzije: min. 1200x475x770 (DxŠxV) Jednako ili slično crtežu	
--	--

**LOT 3: HAIR COSMETICS/ KOZMETIKA ZA KOSU**
**Item 1: Hair cosmetics set / Set kozmetika za kosu**

Quantity: 4 pieces / Količina: 4 komada

(hair cosmetics equal or similar quality to Free Limix hair cosmetics)

1. Fixing Hair Spray - 750ml, 10 pcs
2. Shampoo for chemically treated hair - 1000ml, 10 pcs
3. Shampoo for all hair types - 1000 ml, 10 pcs
4. Shampoo volume hair - 1000ml, 10 pcs
5. Mousse for hair medium strong hold - 300ml, 10 pcs
6. Hair Gel for extra strong hold - 500ml, 10 pcs
7. Shampoo for color-treated hair - 1000ml, 10 pcs
8. Balsam Energizing 1000ml, 10pc

(kozmetika za kosu slicna ili jednaka kvalitetu Free Limix kozmetike za kosu)

1. Lak zakosu - 750ml, 10 kom
2. Šampon za hemijski tretiranu kosu - 1000ml, 10 kom
3. Šampon za sve tipove kose - 1000 ml, 10 kom
4. Šampon za volume kose - 1000ml, 10 kom
5. Pena za kosu srednje jako učvršćivanje - 300ml, 10 kom
6. Gel za kosu za ekstra jako učvršćivanje - 500ml, 10 kom
7. Šampon za farbanu kosu - 1000ml, 10 kom
8. Balzam Energizing 1000ml, 10kom

**Item 2: Hair colors set / Set za farbi za kosu**

Quantity: 4 pieces / Količina: 4 komada

(hair color similar or equal to quality of Free Limix hair color)

1. Hair colors - Naturals, set of 10 hair dyes,
2. Hair colors - Natural intensive, set 5 colors for hair,
3. Hair colors - Golden, set 6 colors for hair,
4. Hair colors -Extra golden, set of 4 hair colors,
5. Hair colors - Red, set of 10 hair dyes,
6. Hair colors- Chocolate, set of 4 hair colors,
7. Hair colors - Superlighteners, set 13 hair dyes,
8. Color Remover, 200ml, 10 pcs
9. White bleach powder 450 gr., 3 pcs
10. Blue bleach powder 450 gr., 3 kom
11. Hidrogen 3% - 1000 ml, 10 kom
12. Hidrogen 6% - 1000 ml, 10kom
13. Hidrogen 9% - 1000 ml, 10 kom
14. Hidrogen 12% - 1000 ml, 10 kom

(farba za kosu slična ili jednaka kvalitetu Free Limix farbe za kosu)

1. Farbe za kosu - Prirodne nijanse, set 10 boje za kosu
2. Farbe za kosu - Prirodne intenzivne nijanse, set 5 boje za kosu
3. Farbe za kosu - Zlatne nijanse, set 6 boje za kosu,
4. Farbe za kosu - Extra zlatne nijanse, set 4 boje za kosu,
5. Farbe za kosu - Crvene nijanse, set 10 boje za kosu,
6. Farbe za kosu - Čokoladne nijanse, set 4 boje za kosu,
7. Farbe za kosu - Veoma svetle nijanse, set 13 boje za kosu,
8. Skidač farbe, 200ml, kom 10
9. Blanš beli 450 gr., 3 kom
10. Blanš plavi 450 gr., 3 kom
11. Hidrogen 3% - 1000 ml, 10 kom
12. Hidrogen 6% - 1000 ml, 10kom
13. Hidrogen 9% - 1000 ml, 10 kom
14. Hidrogen 12% - 1000 ml, 10 kom

**Bids per LOT are allowed. UNOPS reserves the right to make multiple contracts per LOTs for this purchase.**

**UNOPS reserved the rights to increase or decrease quantity of items.**

**The products offered are in accordance with the specifications and requirements**

Yes  
 No

Any deviation must be listed below:

---

---

---

Date

Authorized Signature

## 2. Price & delivery form

<b>Quotation</b>				
<b>Bidder's total price (Price &amp; currency to be entered by bidder) VAT excluded:</b>				
TOTAL FIRM DAP PRICE - DAP: Small and medium enterprises in Obrenovac (according the detailed address list which will be provided)				
<b>Requested offer validity period from the date of offer submission: 90 Days</b>				
<b>BIDDER'S UNIT PRICES (price &amp; currency to be entered by bidder):</b>				
ITEM	DESCRIPTION	QTY	CURRENCY:	
			UNIT PRICE DAP	TOTAL PRICE DAP
<b>LOT 1 - EQUIPMENT FOR HAIRDRESSING SALONS</b>				
1.	Ceramic Shampoo Chair for hair washing	1		
2.	Professional hair dryer	10		
3.	Straightening Iron	8		
4.	Curling Iron	8		
5.	UV Sterilizer	3		
6.	Hair Clipper	4		
7.	Scissors hair clipper set	7		
8.	Hair brushes set	4		
9.	Paper towels	18		
10.	Set for hair coloring	15		
11.	Hairdressing trolley	3		
12.	Hood Dryer with floor bracket	1		
			<b>LOT 1 SUBTOTAL:</b>	
<b>LOT 2 - EQUIPMENT FOR BEAUTY SALONS</b>				
1.	Set of accessories for manicure and nail extension	1		
2.	Depilatory set	1		
3.	Portable cosmetics bed for massage and depilation	1		
4.	Manicure Table / Chair	1		
5.	Aspirator for manicure	1		

6.	LED Table Lamp for Manicure	1		
7.	UV Lamp	1		
8.	Manicure Table	1		
			<b>LOT 2 SUBTOTAL:</b>	
<b>LOT 3: HAIR COSMETICS</b>				
1.	Hair cosmetics set	4		
2.	Hair colors set	5		
			<b>LOT 3 SUBTOTAL:</b>	
				<b>GRAND TOTAL:</b>

<b>Bidder's delivery data</b>	
<b>DELIVERY AND INSTALLATION TIME: 15 DAYS FROM THE DATE OF ORDER</b>	

 \_\_\_\_\_  
 Date

 \_\_\_\_\_  
 Authorized Signature

**3: Previous experience form**

<b>Previous Experience</b>				
<b>Description of services/goods /works</b>	<b>Country</b>	<b>Total amount of contract</b>	<b>Contract Identification and Title and Contact details of Client: (Name, Address, telephone, email, fax)</b>	<b>Year project was undertaken</b>

\_\_\_\_\_  
Date\_\_\_\_\_  
Authorized Signature

62



UNOPS Headquarters  
Marmorvej 51  
P.O. Box 2695  
2100 Copenhagen  
Denmark  
Tel: +45 45 33 75 00  
Fax: +45 45 33 75 01